



Defining the Future of Access Control

www.cs-technologies.com.au
sales@cs-technologies.com.au



Introducing Australia's



leading edge Technologists



in Access Control

...and the Blue Chip Corporates

IBM
Global Services
Australia

Sony Music
Entertainment

Computer
Associates

who entrust their daily Security

United Overseas
Bank

NEC Australia

QBE Insurance

to our Ingenuity.

International Corporate Clients

Unilever Foods

Glaxo
SmithKline

Deutsche Asset
Management

demand and accept only the

Stamford
Hotels & Resorts

Reebok Australia

The Irish
Consulate

most intelligent solutions.

Australia's top Corporates,

AMP Asset
Management

Commonwealth
Banking
Corporation

ANZ Bank

Banking Institutions and

New South Wales
Department of
Transport

National Parks
and Wildlife

Sydney University

Government departments

all with different criteria for

Inghams
Enterprises

Westpac
Banking
Corporation

Mirvac
Real Estate

building security & access control

University of
Queensland

Jones, Lang
LaSalle

Network Ten
Television

have selected our product.

Why choose us?

YHA
New South Wales

Knight Frank

Snack Brands
Australia

For excellent reasons

CB Richard Ellis

Wyeth
Pharmaceutical

Chesterton
International

our competitors can't match.

It's a unique combination of



problem-solving attitude and



technological creativity.

We take your total requirements

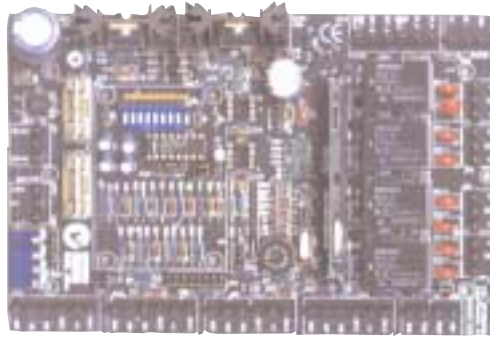


and reduce the complexity

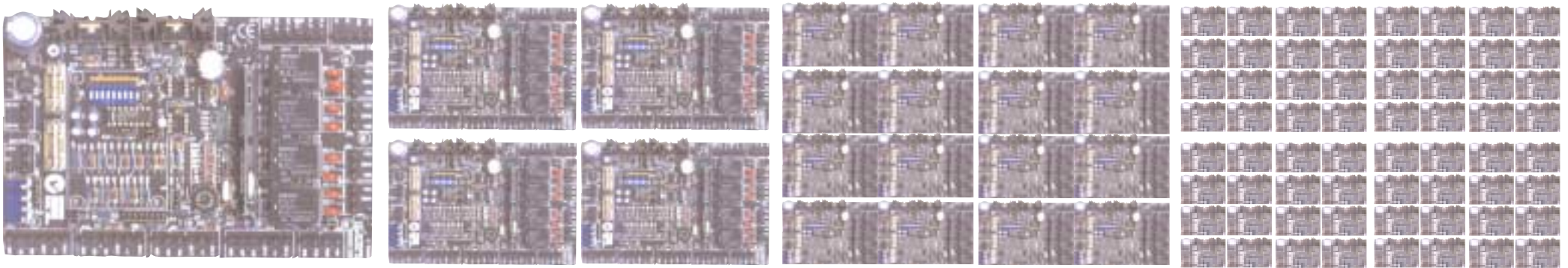


to the Power of One.

One ultraprocessor delivers



infinitely scalable solutions,



which we program to be

easily implemented,

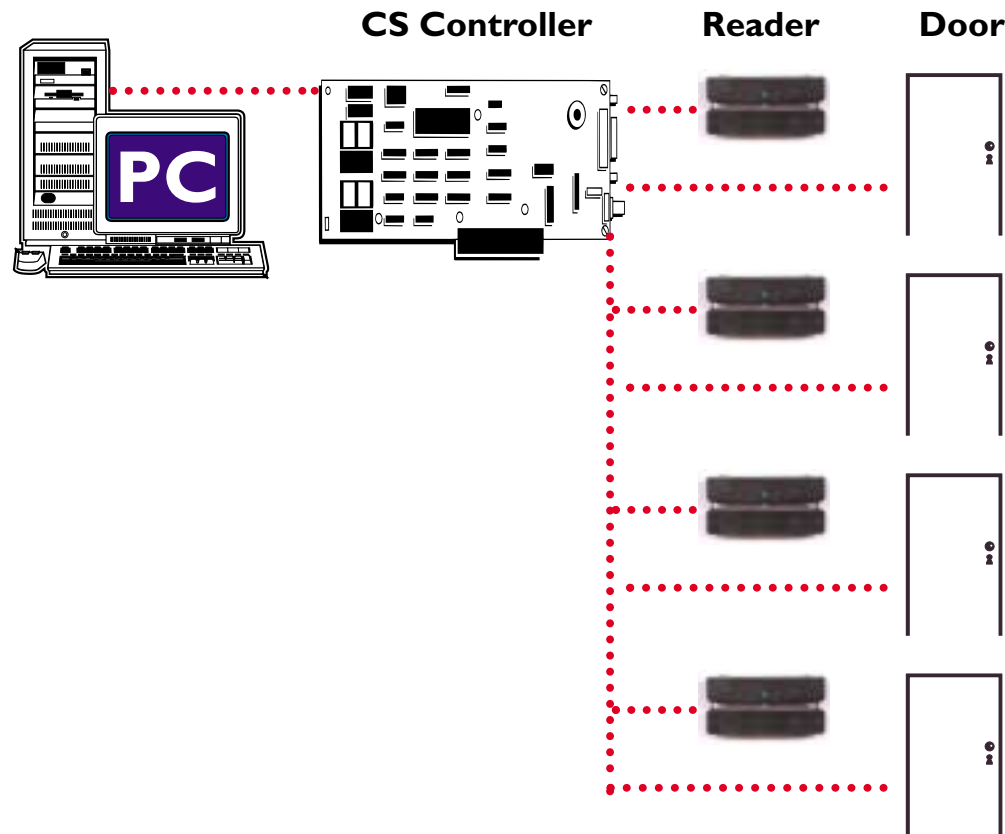


supremely functional,



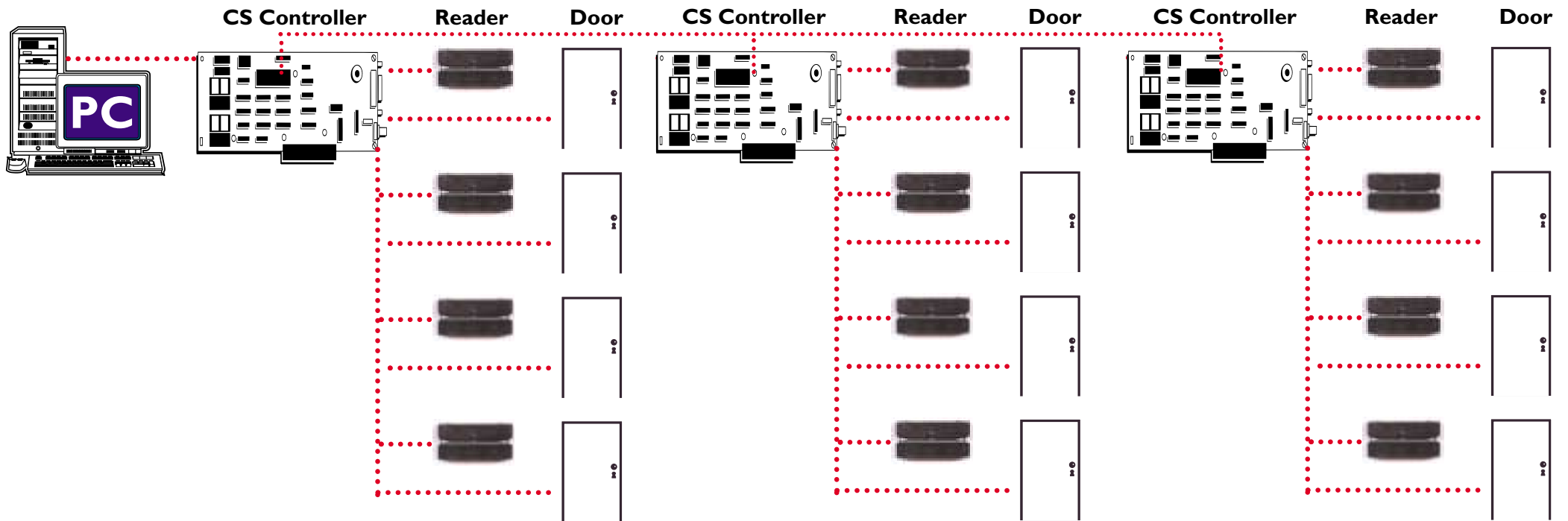
extremely affordable.

Unique modular design



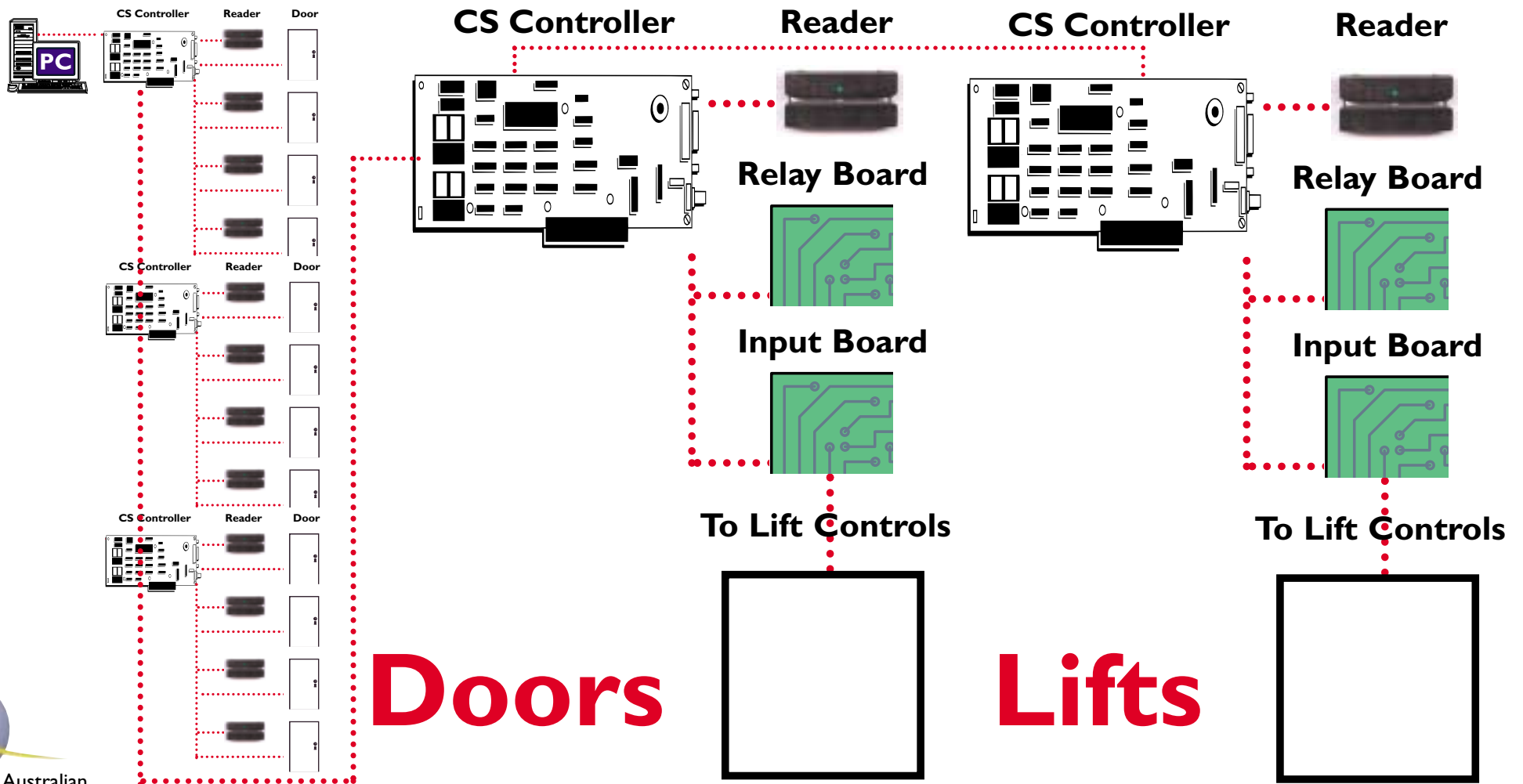
enables one control cluster

to expand exponentially,

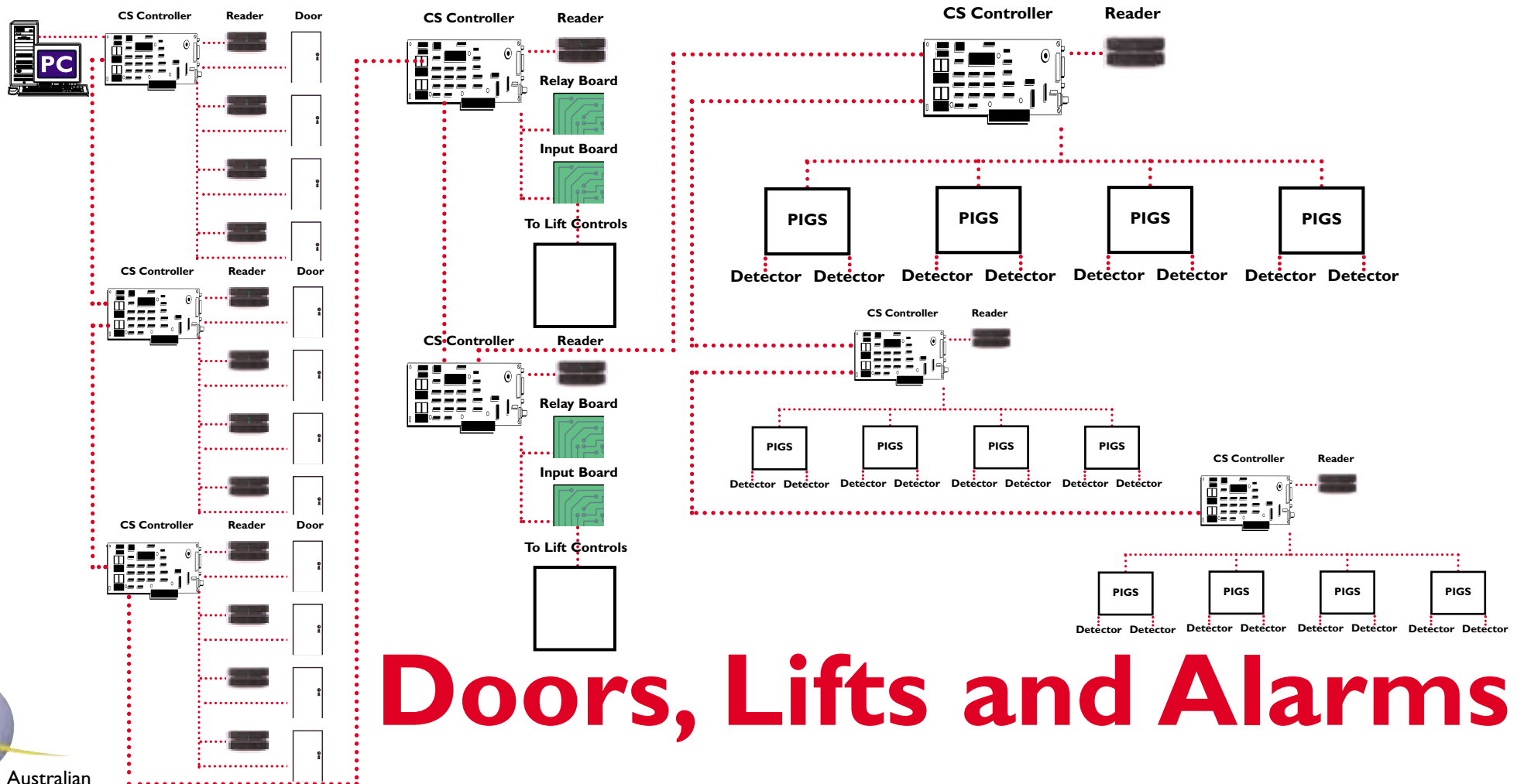


creating infinitely flexible

security/control solutions



for all building requirements:



Doors, Lifts and Alarms

Supports Most Reader Interfaces



Internet Access Solutions



IP-addressable on LAN

Over 3,000 Controllers



Over 800 Systems



Over 10,000,000 Users

Australian-owned



Australian-developed



Australian-made

Australia-wide



Sydney-headquartered



Operating Globally

For information:



www.cs-technologies.com.au



Chris Fitzpatrick
Sales Director
chris.fitzpatrick@cs-technologies.com.au

Defining the Future of Access Control
27 Bank Street, Meadowbank, NSW 2114 Australia
PO Box 1019, Meadowbank, NSW 2114 Australia
Phone 61-2-9809 0588 Fax 61-2-9809 2446
Mobile 0417 496 449 Web www.cs-technologies.com.au



Call us. Take control.