

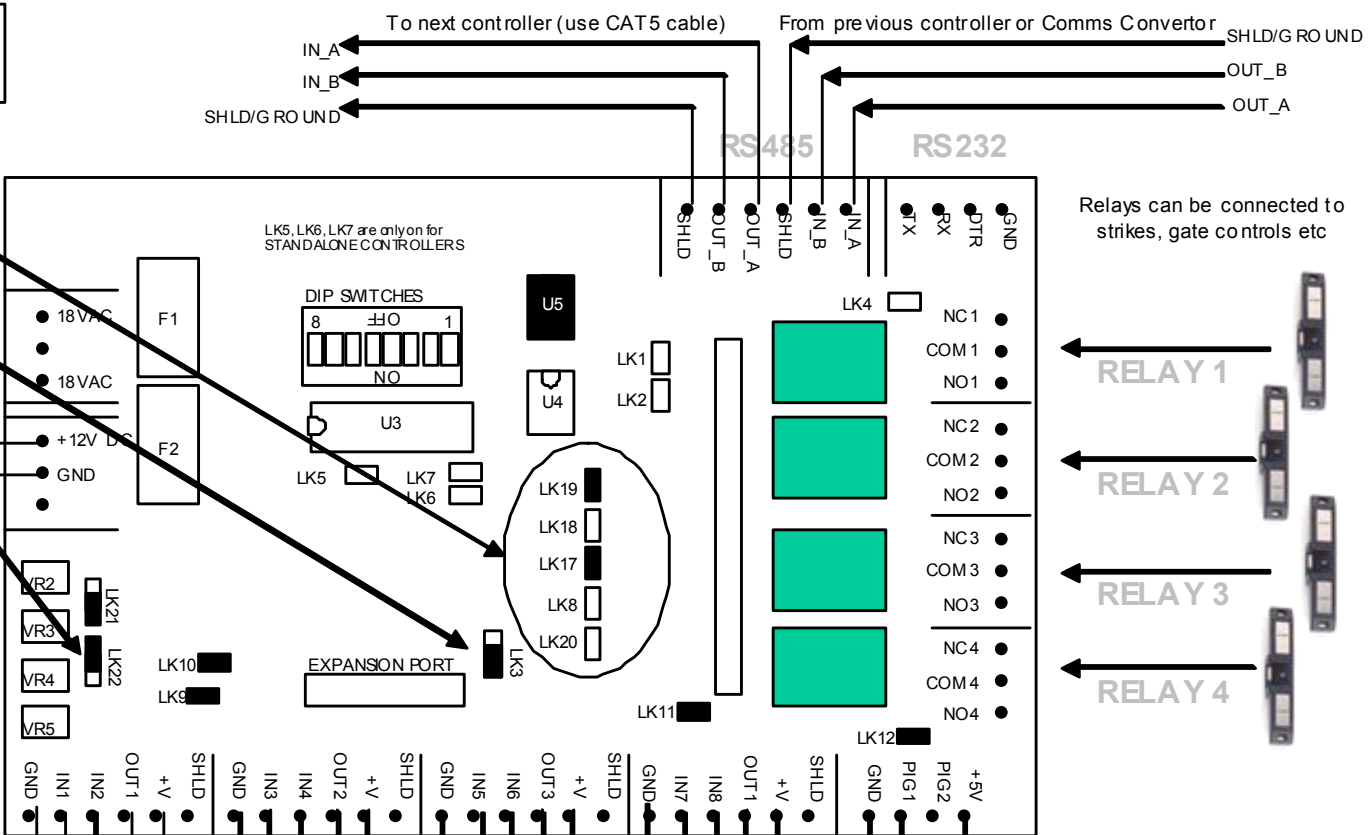
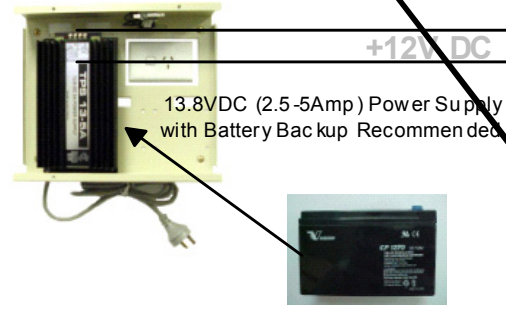
Clock + Data Format – Rev 2.3 board

POTS setting:
 VR2,VR3,VR4,VR5 – 1.5k Resistance
 (Measure between reader CLK and reader +V)

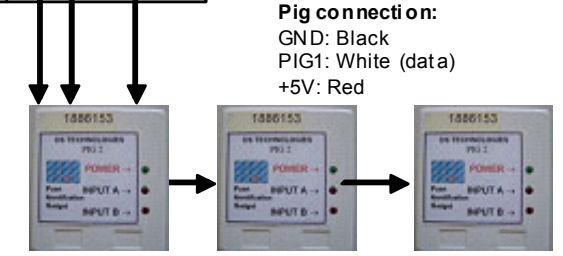
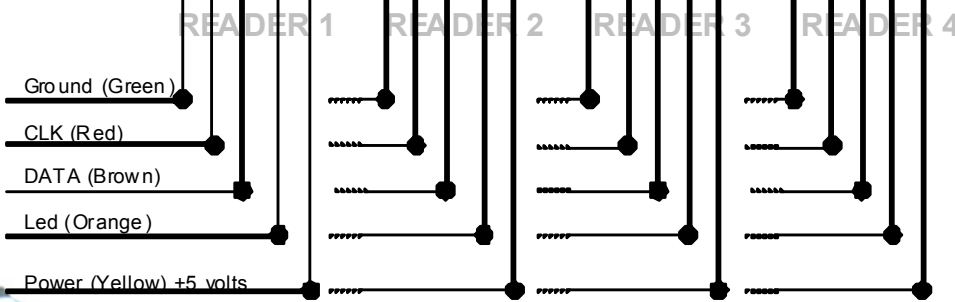
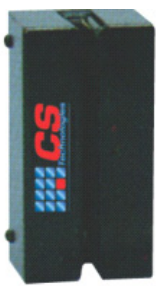
1 Door: LK17 off, LK19 off
2 Doors: LK17 off, LK19 on
3-4 Doors: LK17 on, LK19 on

When using 4 or 16 way expansion boards put LK3 UP

LK22 Up: +V = 5 volts
 LK22 Down: +V = 12 volts



Note: The recommended cable type is 6 core shielded cable.
 Maximum distance is 100 meters from the controller.



Input expansion inputs:
 Pig2 (2 input expansion Point Identification Gadget)

Ensure the reader type is set to **CLOCK + DATA**.

Don't scan 1-wire bus on IN1 IN2 IN3 IN4
 IN5 IN6 IN7 IN8
 PIG1 PIG2
 OUT1 OUT2 OUT3 OUT4

Reader options
 Reader interface: **Clock+Data**
 Type: **CARD** or Type: **ABACARD**

Technician/ Site/ Edit Card options: set values appropriately

Software configuration window showing 'Edit card options' button circled.

Magstripe configuration window:
 Site code: Start 0 Length 0
 Count from: Start End
 Card number: Start 1 Length 8
 Count from: Start End
 Card type: Track 2
 No error checking Turn on diagnostics
 Allow access to undefined cards
 Match site code Enforce length 0