

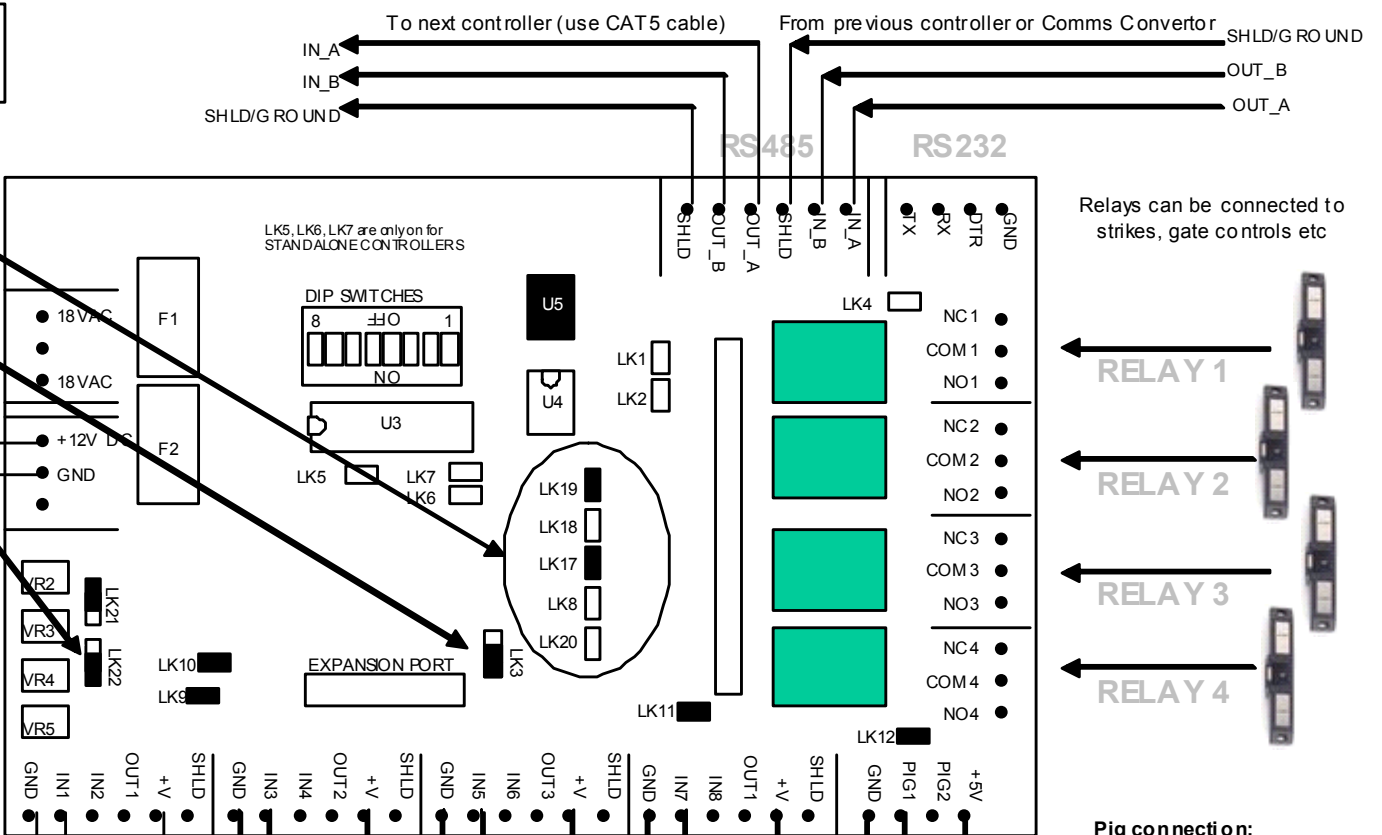
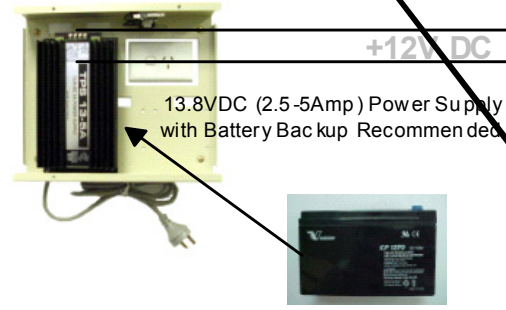
# PRX-Illuminated Metal Keypad (Presco) – Rev 2.3

**POTS setting:**  
 VR2,VR3,VR4,VR5 – 1.0k Resistance  
 (Measure between reader Data and reader +V)

**1 Door:** LK19,18,17,8,20-off  
**2 Doors:** LK19-on, LK18, 17,8, 20-off  
**3-4 Doors:** LK19,17-on, LK18,8,20-off

When using 4 or 16 way expansion boards put LK3 UP

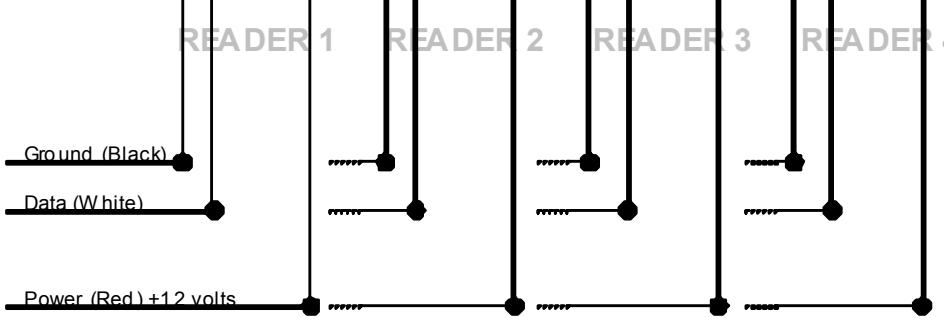
LK22 Up: +V = 5 volts  
 LK22 Down: +V = 12 volts



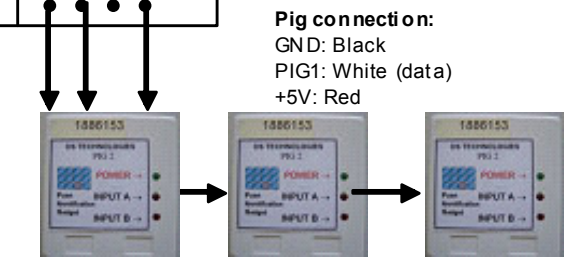
Relays can be connected to strikes, gate controls etc



Note: The recommended cable type is 4 core non shielded cable.  
 Maximum distance is 500 meters from the controller.



To enter your pin number enter the number and press #



**Input expansion boards:**  
 Pig2 (2 input expansion Point Identification Gadget)

Ensure the reader type is set to PRESCO.



Don't scan 1-wire bus on  IN1  IN2  IN3  IN4  
 IN5  IN6  IN7  IN8  
 PIG1  PIG2  
 OUT1  OUT2  OUT3  OUT4

Parking  Invert LEDs  1  2  3  4  Read iKey encoded number  
 Base 12 readers:  \*# arms/disarms  \*# in no.  1  2  3  4

By pressing the \* button, then your pin number – can be used to arm and disarm the area associated with the door (will not work for self storage systems)