

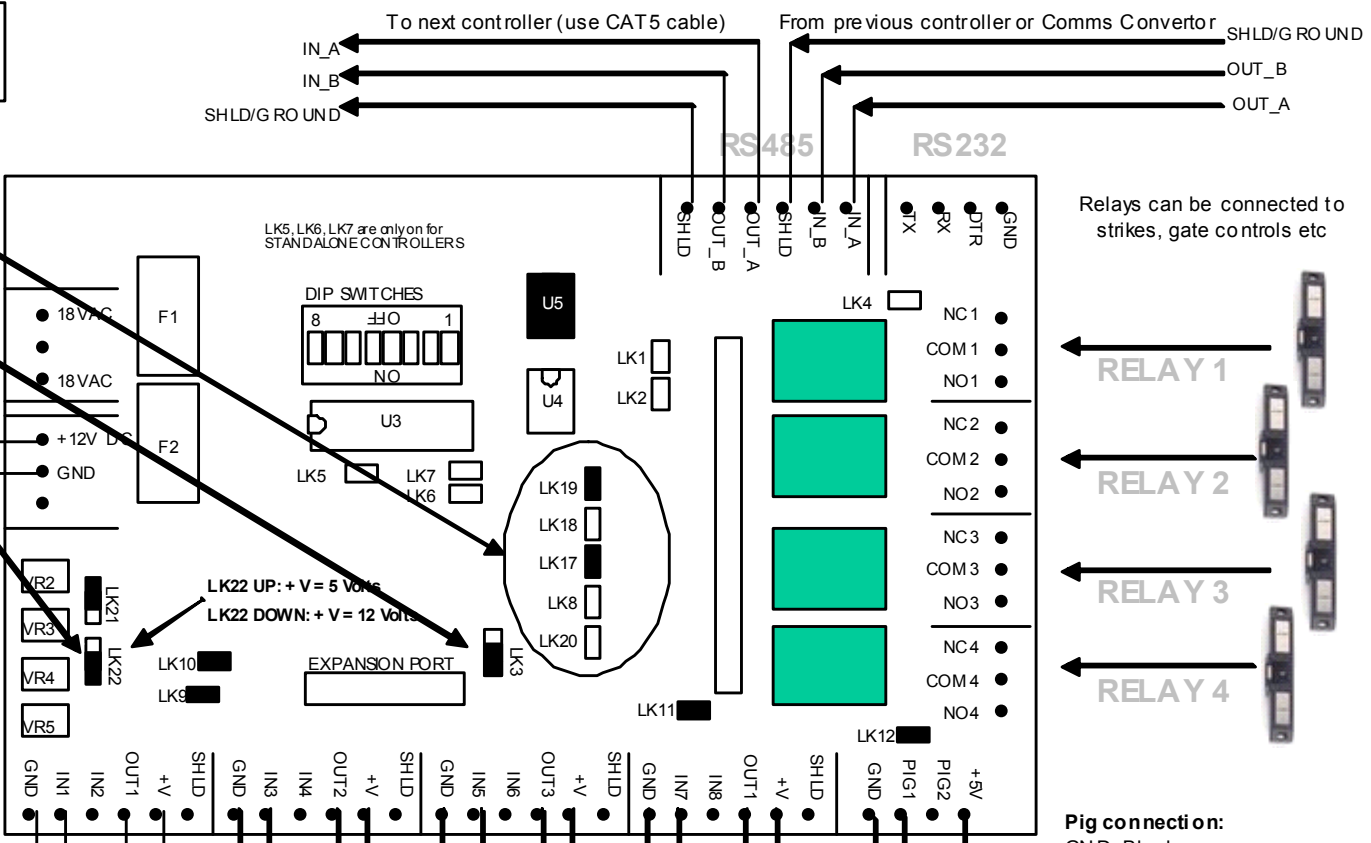
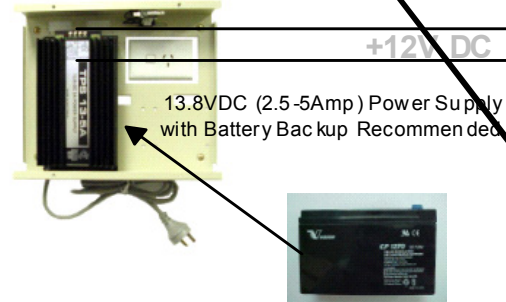
# PRX-Mullion (Presco Format) – Rev 2.3

**POTS setting:**  
 VR2,VR3,VR4,VR5 – 1.0k Resistance  
 (Measure between reader Data and reader +V)

**1 Door:** LK19,18,17,8,20-off  
**2 Doors:** LK19-on, LK18,17,8,20-off  
**3-4 Doors:** LK19,17-on, LK18,8,20-off

When using 4 or 16 way expansion boards put LK3 UP

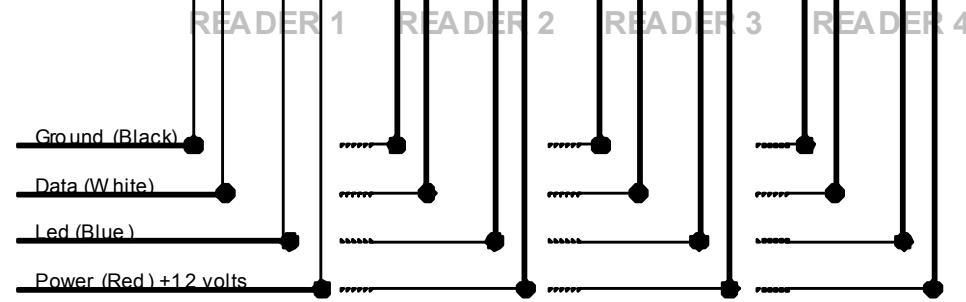
LK22 Up: +V = 5 volts  
 LK22 Down: +V = 12 volts



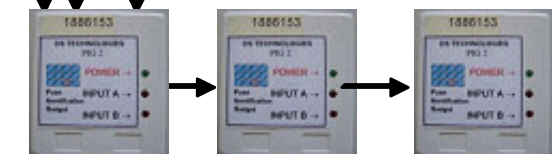
Relays can be connected to strikes, gate controls etc



Note: The recommended cable type is 4 core non shielded cable.  
 Maximum distance is 500 meters from the controller.



**Pig connection:**  
 GND: Black  
 PIG1: White (data)  
 +5V: Red



Input expansion boards:  
 Pig2 (2 input expansion Point Identification Gadget)

Ensure the reader type is set to PRESCO.



Don't scan 1-wire bus on

<input checked="" type="checkbox"/> IN1	<input checked="" type="checkbox"/> IN2	<input checked="" type="checkbox"/> IN3	<input checked="" type="checkbox"/> IN4
<input checked="" type="checkbox"/> IN5	<input checked="" type="checkbox"/> IN6	<input checked="" type="checkbox"/> IN7	<input checked="" type="checkbox"/> IN8
<input type="checkbox"/> PIG1	<input type="checkbox"/> PIG2		
<input checked="" type="checkbox"/> OUT1	<input checked="" type="checkbox"/> OUT2	<input checked="" type="checkbox"/> OUT3	<input checked="" type="checkbox"/> OUT4

Parking  Invert LEDs  1  2  3  4  Read iKey encoded number

Base 12 readers:  \*\* arms/disarms  \*# in no.  1  2  3  4

Presco Card format includes \* and # in the number. You need to tick the above check boxes so that the card number is displayed correctly.