

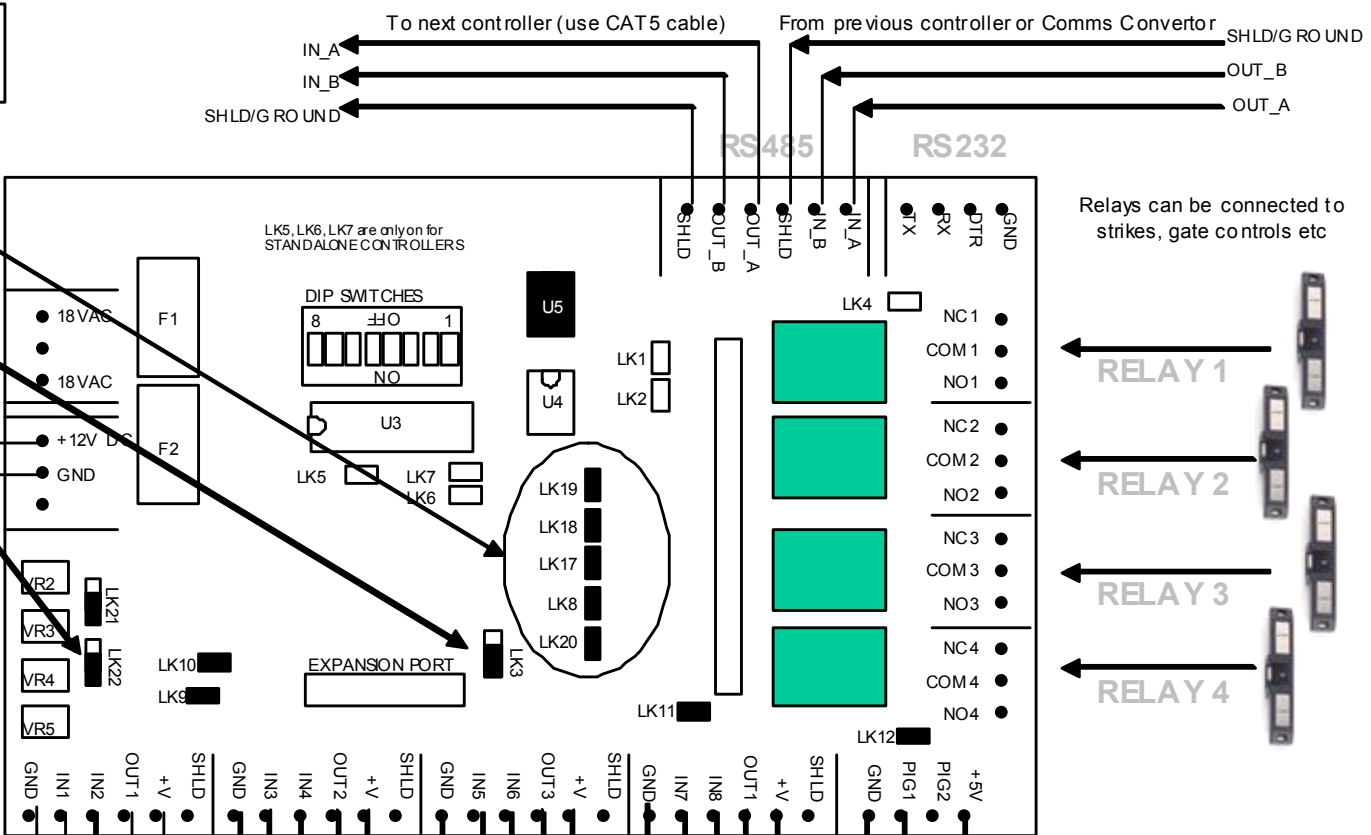
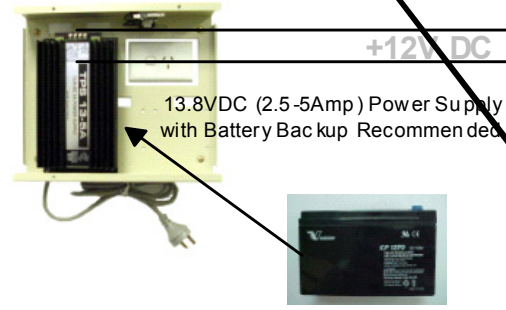
# PRX-Mullion (Wiegand Format) – Rev 2.3

**POTS setting:**  
 VR2,VR3,VR4,VR5 – 1.5k Resistance  
 (Measure between reader Data0 and reader +V)

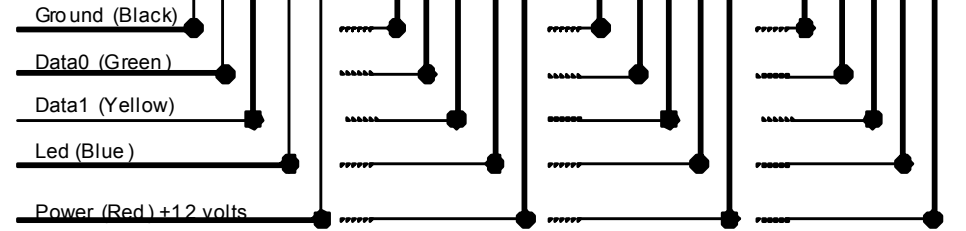
**1 Door:** LK20-on, LK19, 18,17, 8-off  
**2 Doors:** LK19,18, 20-on, LK17,8-off  
**3-4 Doors:** LK19,18,17, 8,20-on

When using 4 or 16 way expansion boards put LK3 UP

LK22 Up: +V = 5 volts  
 LK22 Down: +V = 12 volts



Note: The recommended cable type is 6 core shielded cable.  
 Maximum distance is 100 meters from the controller.



Relays can be connected to strikes, gate controls etc



**Pig connection:**  
 GND: Black  
 PIG1: White (data)  
 +5V: Red



Input expansion boards:  
 Pig2 (2 input expansion Point Identification Gadget)

Ensure the reader type is set to WIEGAND.

